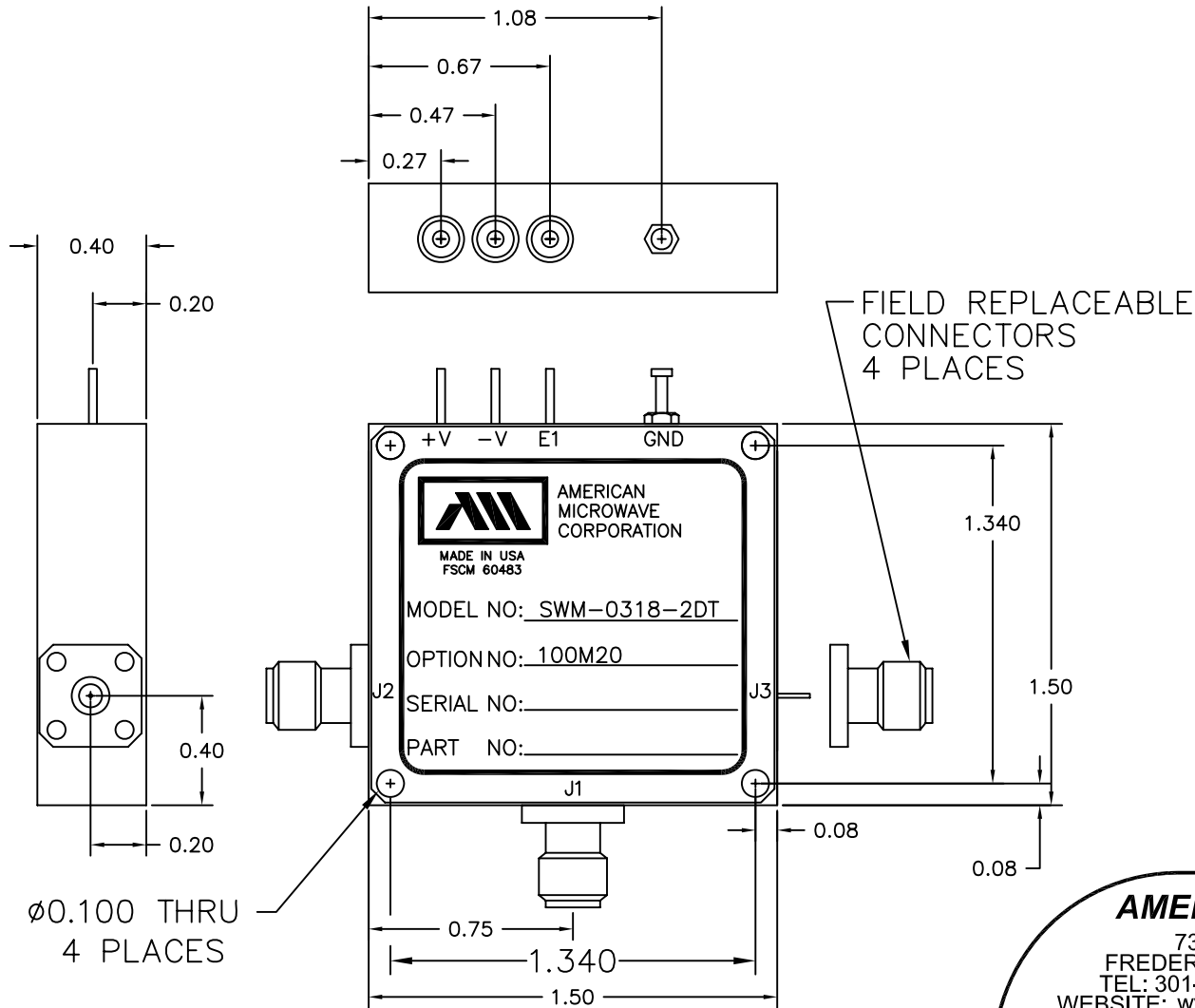


DESCRIPTION

AMC MODEL SWM-0318-2DT OPTION: 100M20 IS AN ABSORPTIVE/NON-REFLECTIVE SINGLE POLE TWO THROW GaAs MMIC SWITCH/MODULATOR WITH INTEGRAL TTL DRIVER PACKAGED IN A LOW PROFILE HOUSING.

REVISIONS				
ZONE	REV.	DESCRIPTION	DATE	APPROVED
	-	ORIGINAL RELEASE JOB# 508201XN-1	09/16/05	RA
	A	ECN # 07-022	01/30/07	RA

MECHANICAL OUTLINE



E1	J1-J2	J1-J3
1	ON	OFF
0	OFF	ON

AMERICAN MICROWAVE CORPORATION

7311-G GROVE ROAD
 FREDERICK, MARYLAND 21704 USA
 TEL: 301-662-4700 FAX: 301-662-4938
 WEBSITE: www.americanmicrowavecorp.com
 E-MAIL: sales@americanmicrowavecorp.com
 ISO 9001:2000 CERTIFIED



ALL DIMENSIONS ARE IN INCHES
 TOLERANCES:
 X.XX ±0.020
 X.XXX ±0.010

APPROVALS		DATE	TITLE		
DRAWN	JDJ	09/16/05	MECHANICAL OUTLINE SWM-0318-2DT OPTION: 100M20 0.1-20 GHz, SINGLE POLE TWO THROW SWITCH		
RE-DRAWN	WLS	01/30/07	SIZE	FSCM NO.	DWG NO.
ISSUED	RA	01/30/07	A	60483	100-7493
			SCALE	N:S	SHEET 2 OF 4

DESCRIPTION

AMC MODEL SWM-0318-2DT OPTION: 100M20 IS AN ABSORPTIVE/NON-REFLECTIVE SINGLE POLE TWO THROW GaAs MMIC SWITCH/MODULATOR WITH INTEGRAL TTL DRIVER PACKAGED IN A LOW PROFILE HOUSING.

SPECIFICATIONS

- FREQUENCY RANGE: 0.1 TO 20 GHz
- INSERTION LOSS: 0.1-2 GHz: 2.0 dB MAXIMUM
2-20 GHz: 4.0 dB MAXIMUM
- ISOLATION: 40 dB MINIMUM
- VSWR: 2.0:1
- RISE TIME: 10 nSec MAXIMUM
- FALL TIME: 10 nSec MAXIMUM
- DELAY ON: 20 nSec MAXIMUM
- DELAY OFF: 20 nSec MAXIMUM
- POWER HANDLING: +23 dBm MAXIMUM
- CONTROL: SEE LOGIC TABLE
- POWER SUPPLY: +7V TO +18V ±5% @ 5 mA MAXIMUM
-7V TO +18V ±5% @ 5 mA MAXIMUM
- CONNECTORS:
RF: SMA FEMALE
CONTROL: SOLDER PIN
- SIZE: 1.50" (L) x 1.50" (W) x 0.40" (H)
- WEIGHT: 1.5 OUNCE TYPICAL

OPTIONS:

- 100M20: 0.1 TO 20 GHz FREQUENCY RANGE

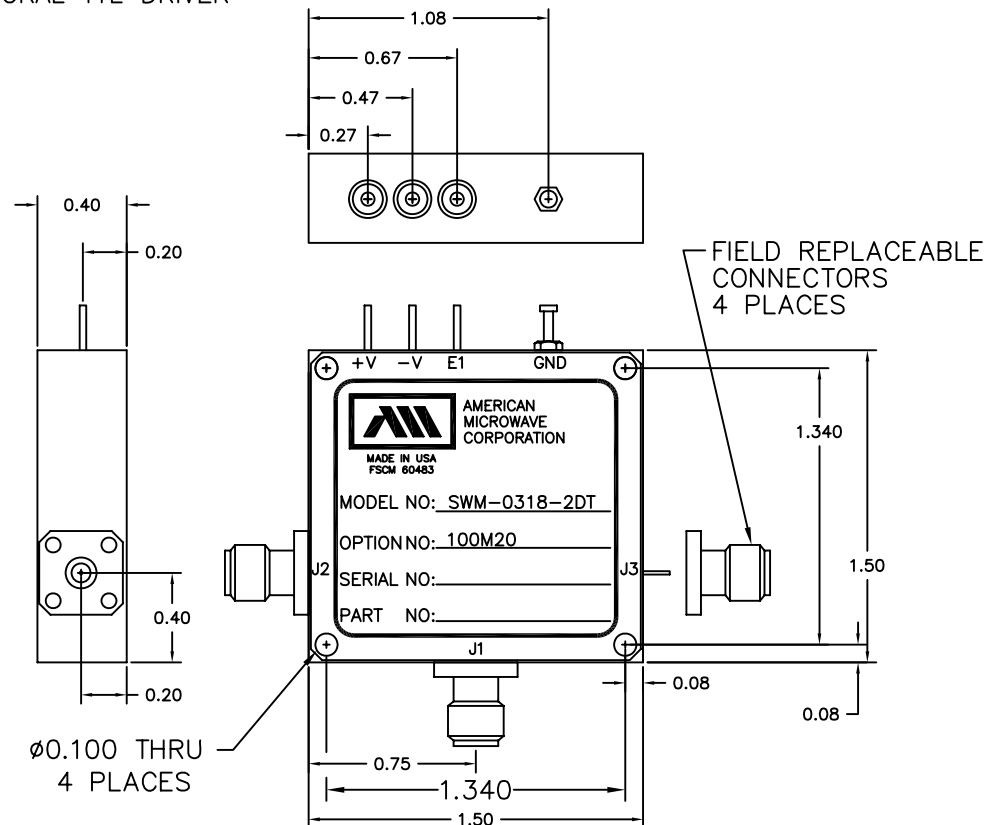
ENVIRONMENTAL RATINGS:

- TEMPERATURE: -55°C TO +85°C (OPERATING)
-65°C TO +125°C (STORAGE)
- HUMIDITY: MIL-STD-202F, METHOD 103B COND. B
- SHOCK: MIL-STD-202F, METHOD 213B COND. B
- VIBRATION: MIL-STD-202F, METHOD 204D COND. B
- ALTITUDE: MIL-STD-202F, METHOD 105C COND. B
- TEMPERATURE CYCLE: MIL-STD-202F, METHOD 107D COND. A

NOTE: SPECIFICATIONS WILL VARY OVER OPERATING TEMPERATURE
NOTE: THE ABOVE SPECIFICATIONS ARE SUBJECT TO CHANGE OR REVISION

ALL DIMENSIONS ARE IN INCHES
TOLERANCES:
X.XX ±0.020
X.XXX ±0.010

REVISIONS				
ZONE	REV.	DESCRIPTION	DATE	APPROVED
	-	ORIGINAL RELEASE JOB# 508201XN-1	09/16/05	RA
	A	ECN # 07-022	01/30/07	RA



E1	J1-J2	J1-J3
1	ON	OFF
0	OFF	ON

AMERICAN MICROWAVE CORPORATION

7311-G GROVE ROAD
FREDERICK, MARYLAND 21704 USA
TEL: 301-662-4700 FAX: 301-662-4938
WEBSITE: www.americanmicrowavecorp.com
E-MAIL: sales@americanmicrowavecorp.com
ISO 9001:2000 CERTIFIED



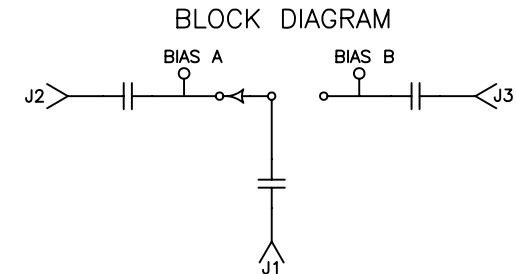
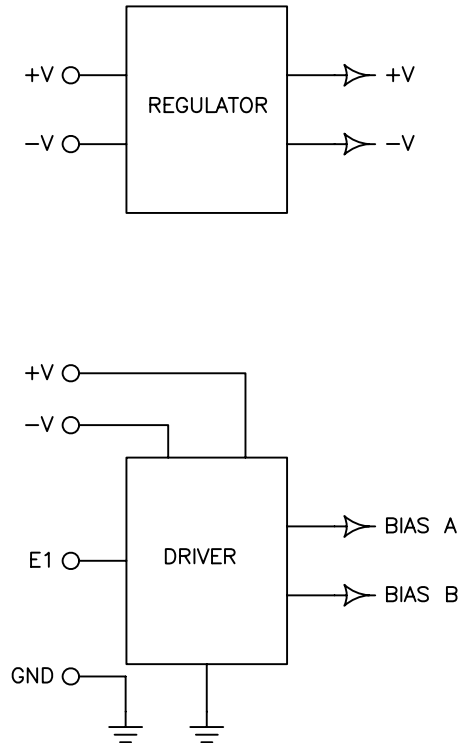
APPROVALS		DATE	TITLE		
DRAWN <i>JDJ</i>		09/16/05	PRODUCT FEATURE SWM-0318-2DT OPTION: 100M20 0.1-20 GHz, SINGLE POLE TWO THROW SWITCH		
RE-DRAWN <i>WLS</i>		01/30/07	SIZE	FSCM NO.	DWG NO.
ISSUED <i>RA</i>		01/30/07	A	60483	100-7493
			SCALE	SHEET 1 OF 4	
			N:S		

DESCRIPTION

AMC MODEL SWM-0318-2DT OPTION: 100M20 IS AN ABSORPTIVE/NON-REFLECTIVE SINGLE POLE TWO THROW GaAs MMIC SWITCH/MODULATOR WITH INTEGRAL TTL DRIVER PACKAGED IN A LOW PROFILE HOUSING.

REVISIONS				
ZONE	REV.	DESCRIPTION	DATE	APPROVED
	-	ORIGINAL RELEASE JOB# 508201XN-1	09/16/05	RA
	A	ECN # 07-022	01/30/07	RA

FUNCTIONAL BLOCK DIAGRAM



AMERICAN MICROWAVE CORPORATION

7311-G GROVE ROAD
 FREDERICK, MARYLAND 21704 USA
 TEL: 301-662-4700 FAX: 301-662-4938
 WEBSITE: www.americanmicrowavecorp.com
 E-MAIL: sales@americanmicrowavecorp.com
 ISO 9001:2000 CERTIFIED



APPROVALS		DATE	TITLE			REV.
DRAWN	JDJ	09/16/05	FUNCTIONAL BLOCK DIAGRAM SWM-0318-2DT OPTION: 100M20			
RE-DRAWN	WLS	01/30/07	0.1-20 GHz, SINGLE POLE TWO THROW SWITCH			
ISSUED	RA	01/30/07	SIZE	FSCM NO.	DWG NO.	
			A	60483	100-7493	A
			SCALE	SHEET		3 OF 4
			N:S			